

Square Coffee Table Plans

Check out the [corresponding blog post](#) for more details on how to complete the build.
Always practice safety when using power tools and be sure to wear all the proper safety equipment.



Tools, Materials, Cut List

Tools
Milescraft PocketHoleJig
Miter Saw
Power Drill

THE ACCENT PIECE
diy · home · handmade

(tools continued)
Planer (optional)
Orbital Sander
Clamps

Count	Materials
1	2x10, 12 ft long
1	2x8, 12 ft long
1	2x6, 5 ft long
	Wood screws
	Stain
	Finish/Sealer
	Wood glue

Part	Count	Cut List
A	4	2x10 cut 36" long
B	4	2x8 cut 33" long
C	2	2x6 cut 30" long

Step 1:

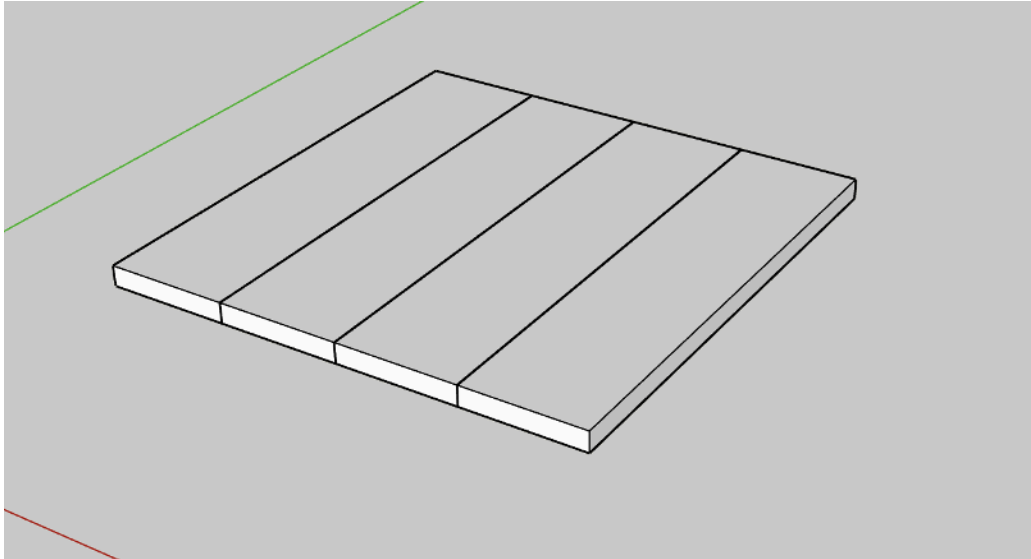
Dimension all of your boards according to the cut list above.



Step 2:

Assemble the coffee tabletop using all parts A. Joint the edges so that the seams are flush.

Use the Milescraft PocketHoleJig to drill the pocket holes. Assemble it with pocket holes, screws, and wood glue. Clamp it together while it dries.

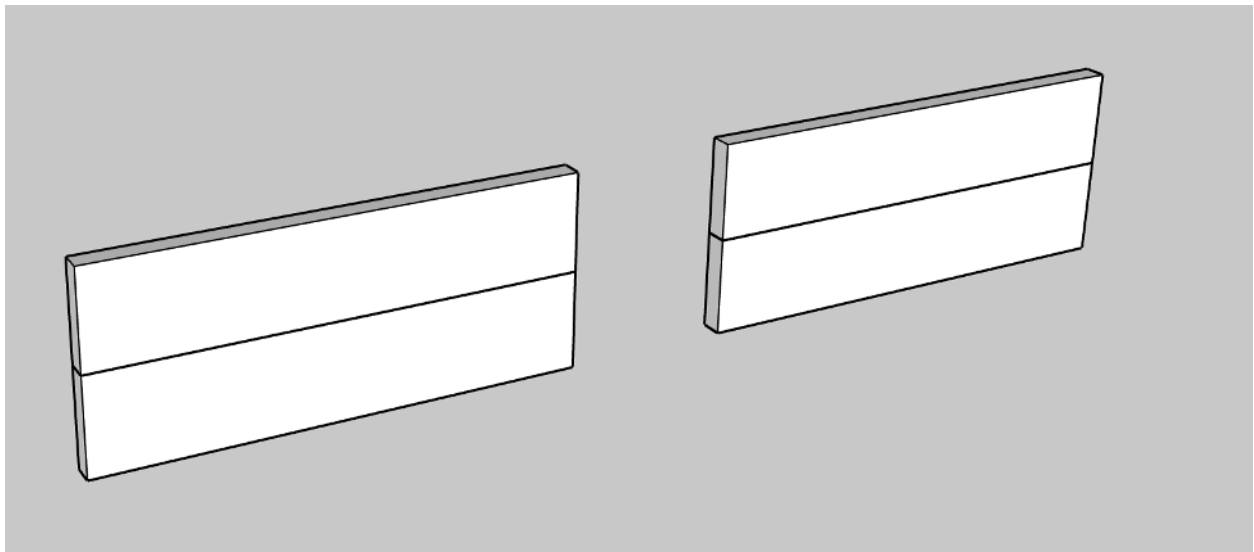


Step 3:

Assemble the legs.

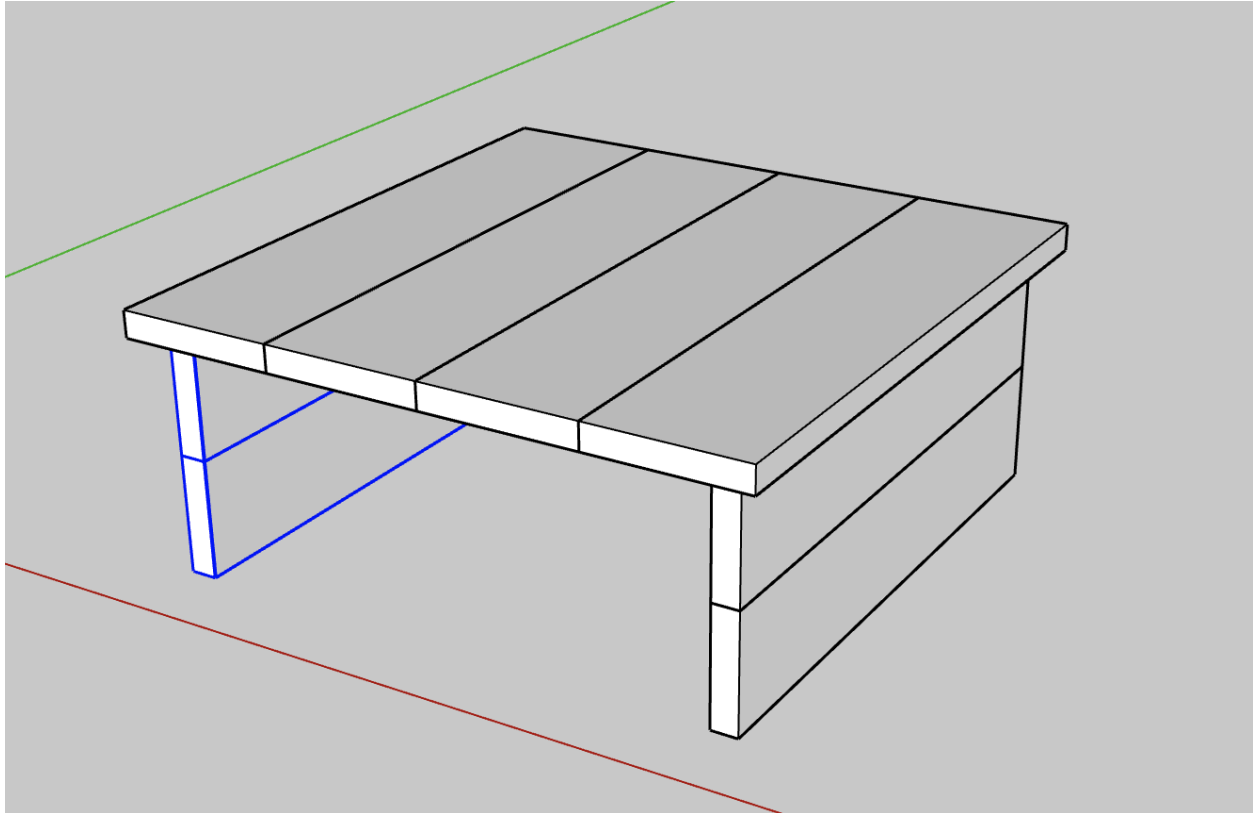
You will join two boards together twice (parts B) in order to create both legs. You can either join these together with pocket holes or with dowel joinery.

Use wood glue and clamps. Allow it to fully dry.



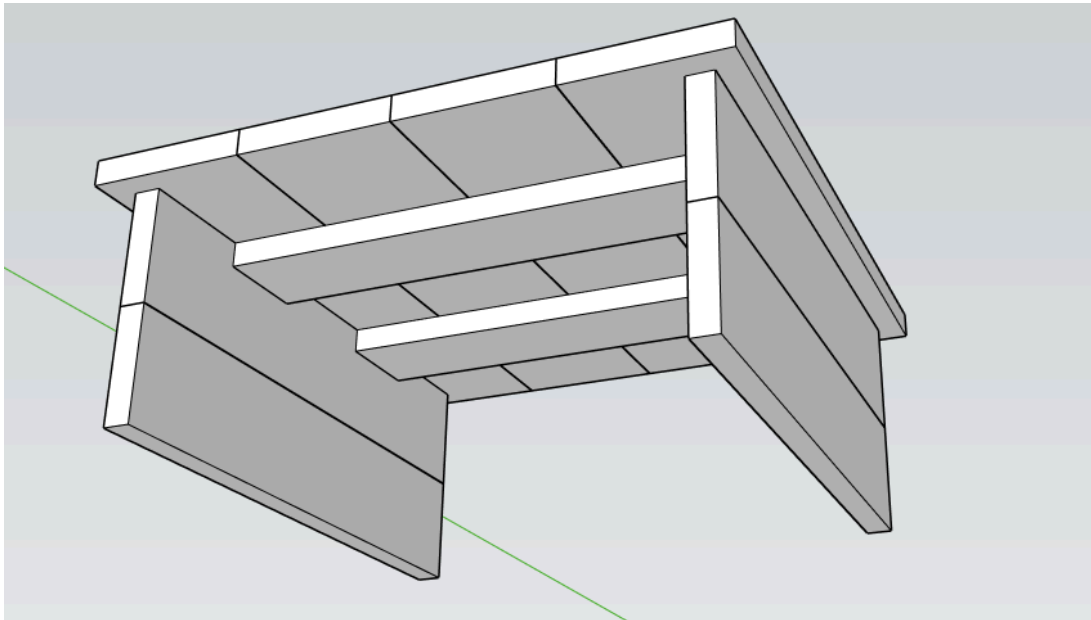
Step 4:

Attach the legs (parts B) to the tabletop (parts A). Use pocket holes and wood glue.

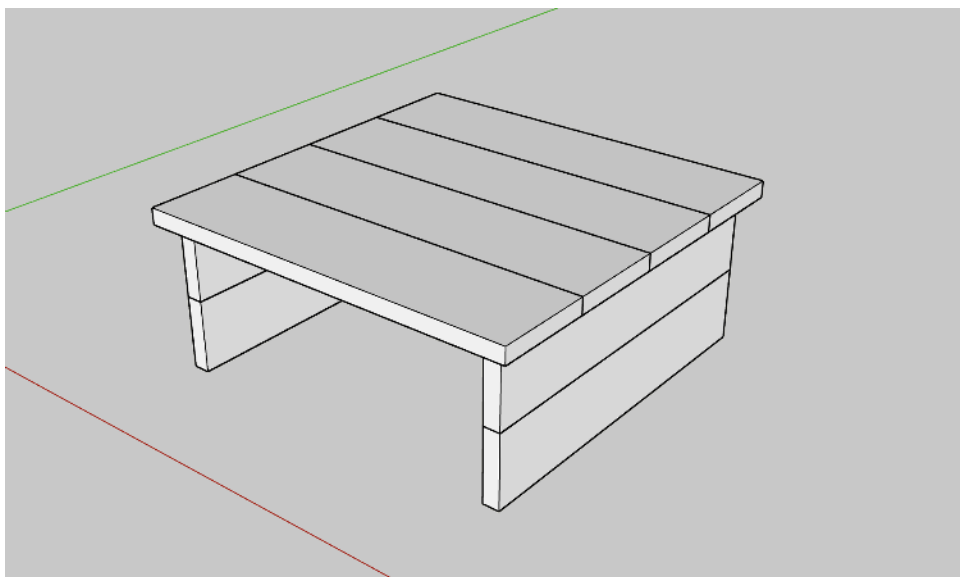


Step 5:

Attach the braces (parts C) to the underside of the tabletop (parts A). Attach them to parts B as well with pocket holes.

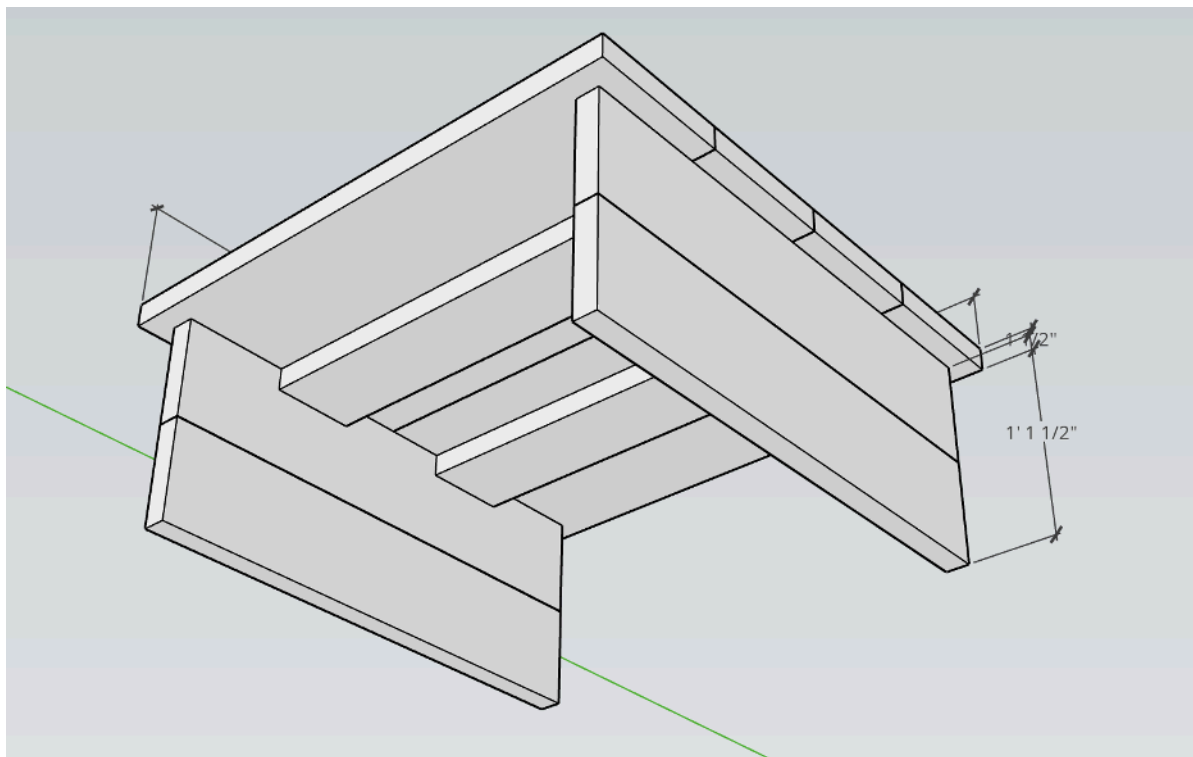
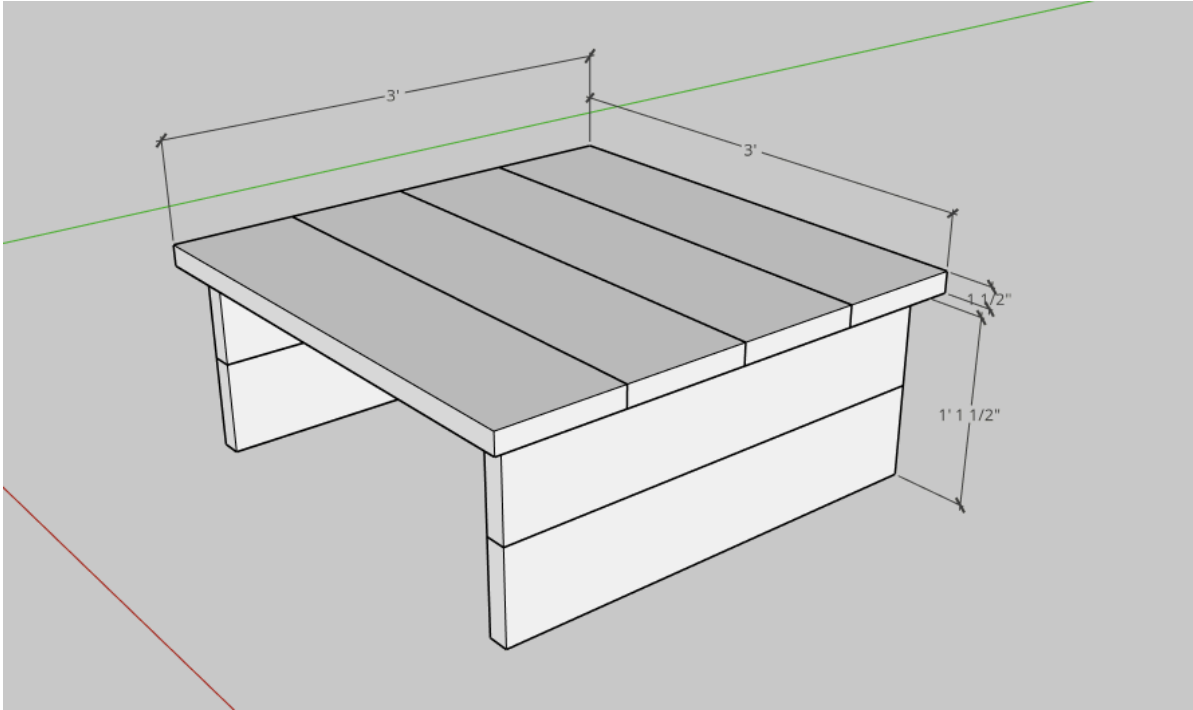


Your coffee table is now complete! You can now sand it, stain it, and put a sealer on it.



THE ACCENT PIECE
diy · home · handmade

Below are the dimensions of the square coffee table:





Find me on the socials:

TheAccentPiece.com

Instagram: @TheAccentPiece

facebook.com/TheAccentPiece