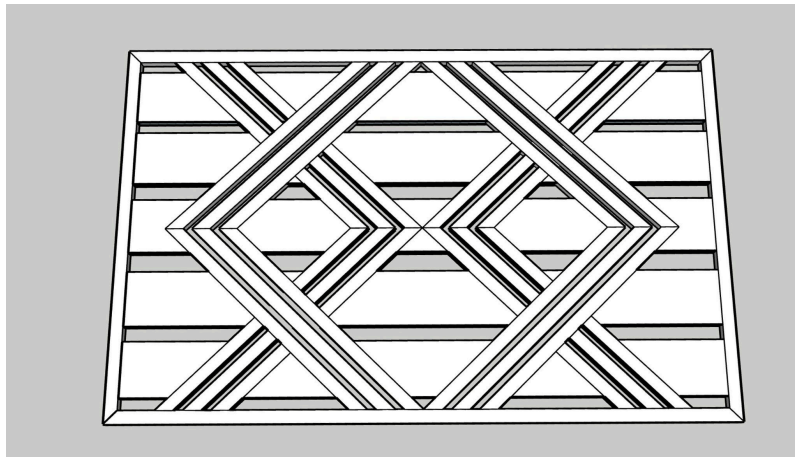


Wooden Doormat Plans

These plans for a wooden mosaic doormat utilize the Adaptive Cutting System Master Kit from Kregtool.com. This kit is a great way to safely make miter cuts, crosscuts, and rip cuts - all of which you will use for this project! You can find the corresponding blog post [here](#).



Always practice safety when using power tools and be sure to wear all the proper safety equipment.

Material List (links to the products I use are provided)**

Quantity	Item
5	.5" x 6" x 72" Cedar Boards
1	Kreg Adaptive Cutting System Master Kit
1	Kreg Jig
	1 ¼" Kreg Screws
	Wood Glue
1	Drill
1	3" Face Clamp
	Stain
	Sealer

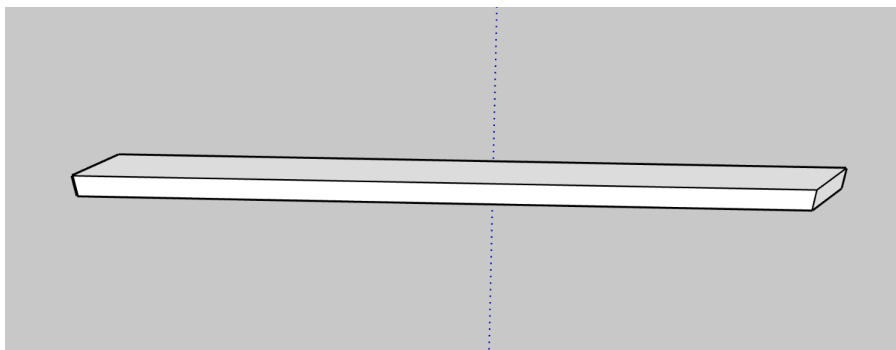
Cut List:

Part	Count	Material	Measurement	Notes
A	24	cedar	1" W, 1/2" H, 15" L	
B	2	cedar	1" W, 1/2" H, 34" L	
C	2	cedar	1" W, 1/2" H, 23" L	Instead of cutting the exact length at the beginning, make this cut after you have assembled the remainder of the doormat and cut to the exact dimensions to what you have built
D	5	cedar	3" W, 1/2" H, 34" L	Instead of cutting the exact length at the beginning, make this cut after you have assembled the remainder of the doormat and cut to the exact dimensions to what you have built

Step 1:

Start by dimensioning your boards to the following measurements with your [Kreg Adaptive Cutting System Master Kit](#):

-(24) 1" W, 1/2" H, 15" L (Part A)

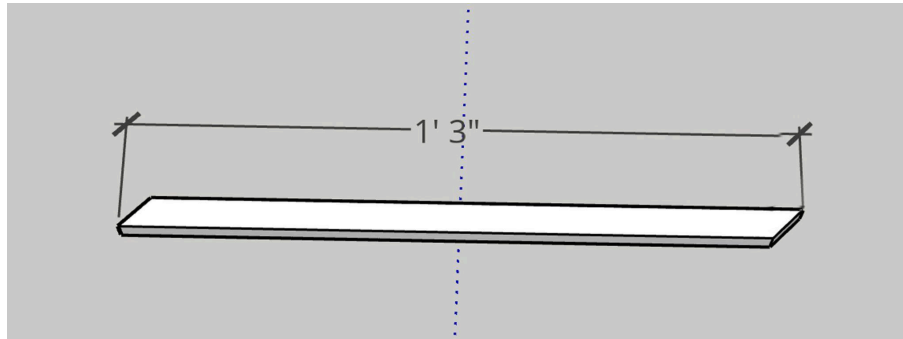


Step 2:

Cut the ends at 45 degree angles as shown below on only half of those pieces (12 total). On the other boards, miter only one end, instead of both.

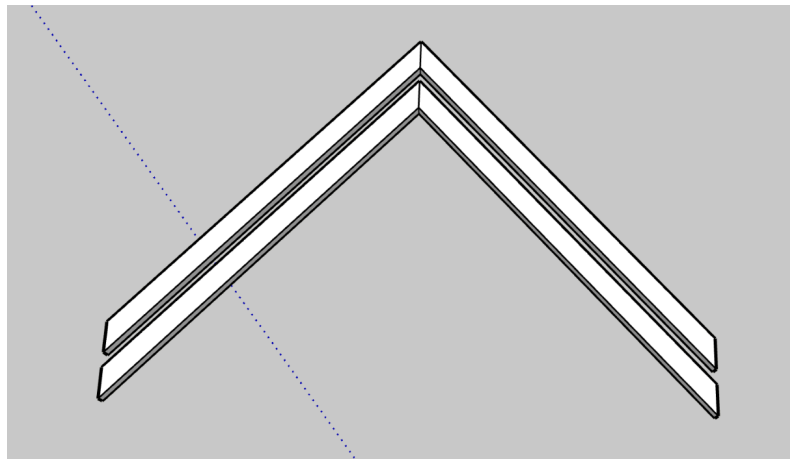
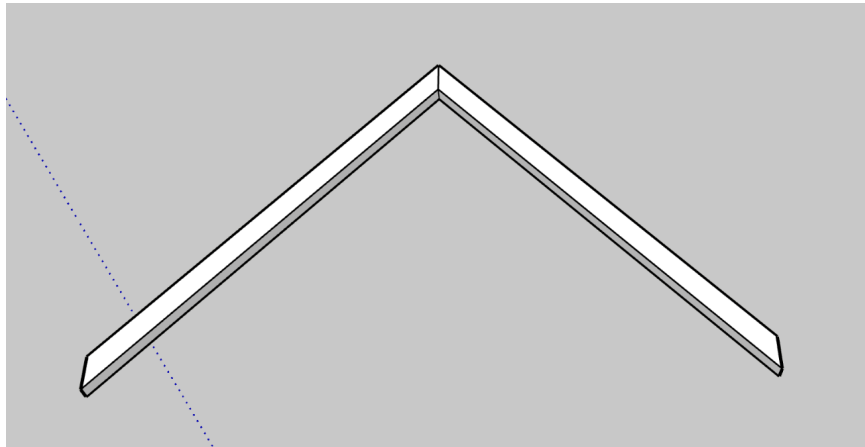
THE ACCENT PIECE

diy · home · handmade



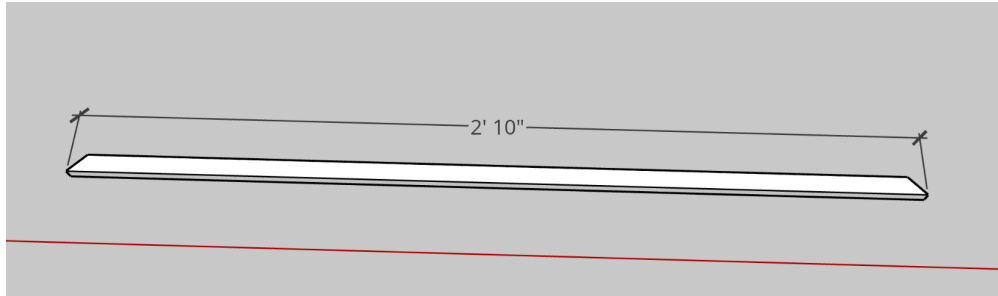
Step 3:

Attach two boards (Part A) with miters on both ends together using your Kreg Jig, Kreg screws, and wood glue. Repeat this process 5 more times. Repeat this 6 more times for the Parts A that have only one miter for a total of 12 angles screwed and glued together.



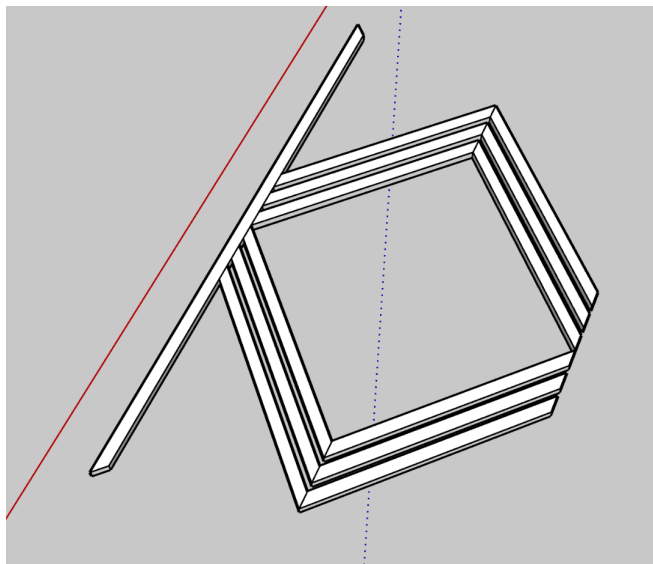
Step 4:

Dimension (2) boards 1" W, 1/2" H, 34" L (Part B). Cut 45 degree angles on each side as seen below.



Step 5:

Attach 6 of the angled pieces you created (Parts A) to both Parts B as shown below using Kreg screws and glue. Start in the middle. Gaps should be 1/2" wide.

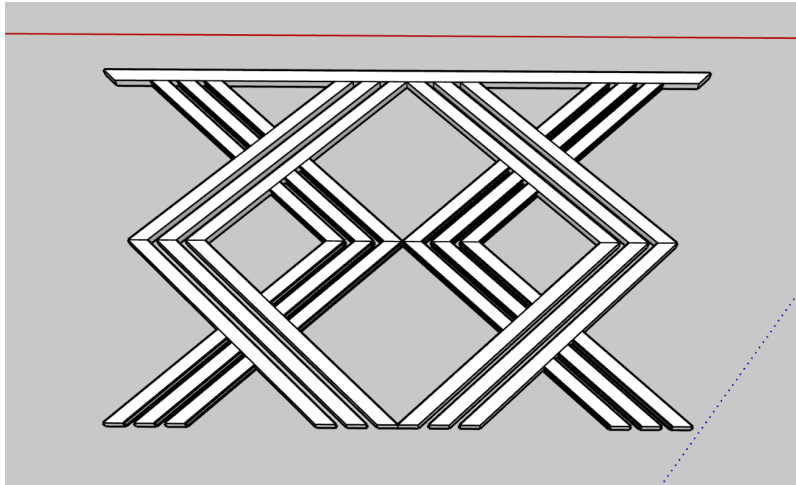


Step 6:

Using your [Kreg Adaptive Cutting System Master Kit](#), cut the remaining Part A to attach to the existing frame.

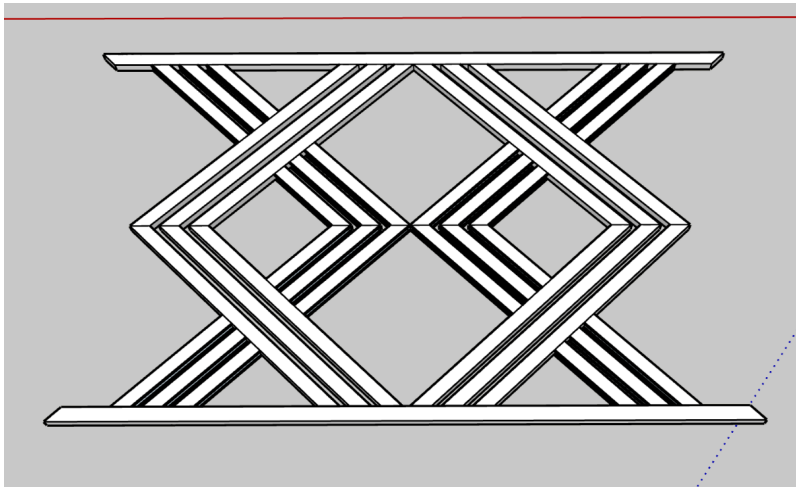
One way to do this is to lay the boards on top of one another and draw a line where you want to cut them. This reduces the amount of measuring you will do and ensures a

snug fit if your boards aren't perfectly straight. See corresponding blog post for this method.



Step 7:

Attach the 2nd 34" long board (Part B) to the bottom of the angles (Parts A) using Kreg Screws and wood glue.



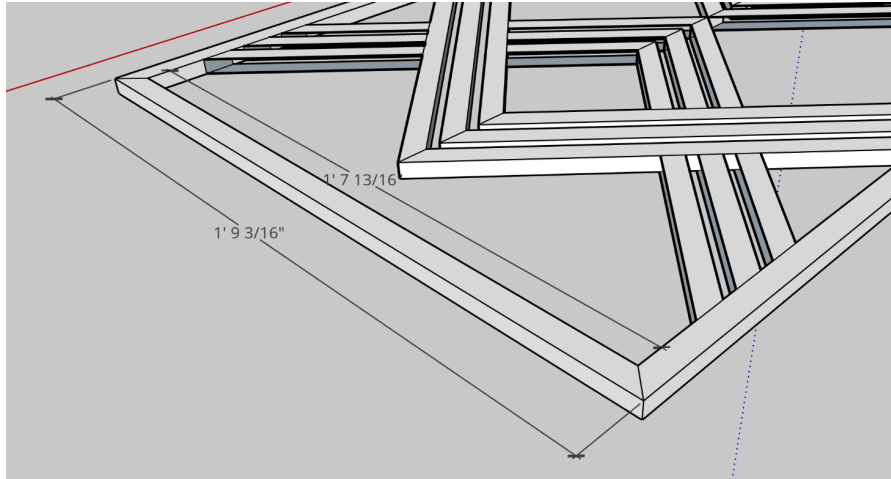
Step 8:

Create (2) 1" W, 1/2" H, 23" L boards (Part C). Cut these at 45 degree angles on each end, measured against what you have already built. Attach to the existing frame.

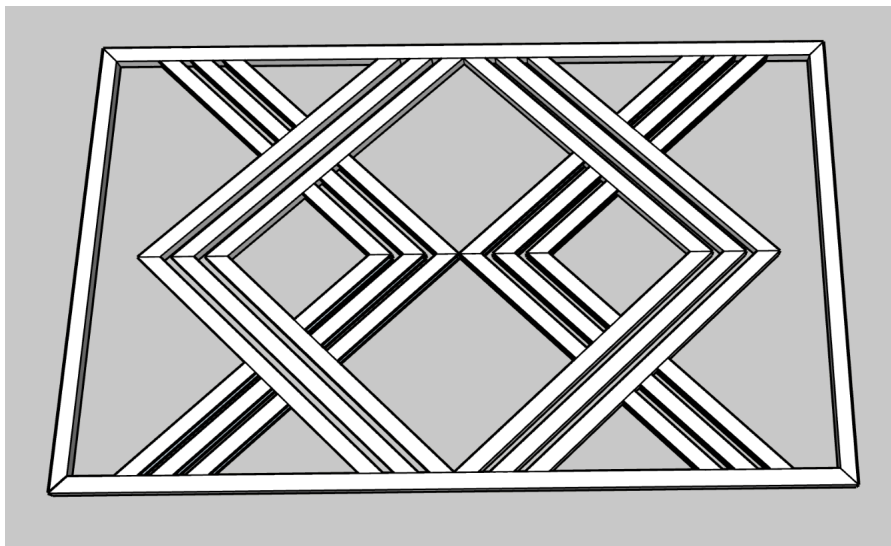
THE ACCENT PIECE

diy · home · handmade

Tip: Instead of cutting the exact measurements above, measure against what you have already created, then cut accordingly.

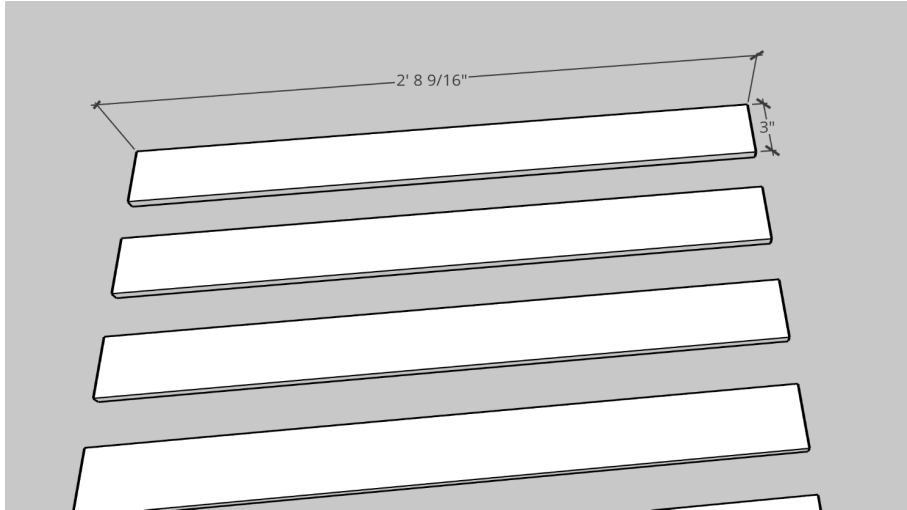


Repeat for the other side.



Step 9:

Create (5) 3" W, 1/2" H, 34" L boards (Part D).

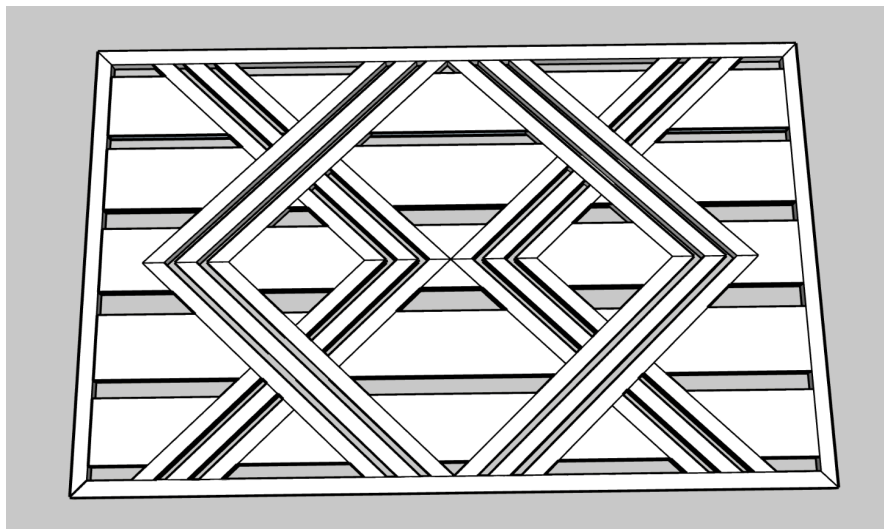


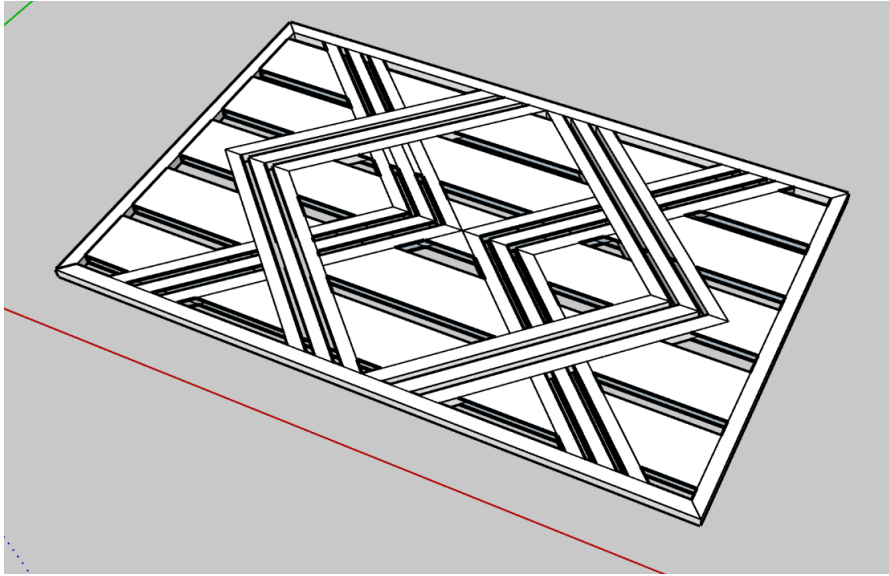
Step 10:

Lay these 5 boards out squared up and evenly spaced. Lay your doormat over these pieces and mark where you will cut.

See corresponding blog post for more details.

Attach these pieces with kreg screws and wood glue.





Step 11:

Once the wooden doormat is assembled, you can stain and seal it.

The corresponding blog post can be found [here](#). If you build this, tag me on instagram (@theaccentpiece) so I can share your build! For feedback on this plan, email me at suzie@theaccentpiece.com.

***This plan may contain affiliate links, which means I'll receive a commission if you purchase through my links, at no extra cost to you. Please read our [full disclosure](#) for more information.*

Find me on the socials:

TheAccentPiece.com

Instagram: @TheAccentPiece

facebook.com/TheAccentPiece