

DIY Mudroom Storage Bench Plans

This storage bench with a drawer is a great space saver project for laundry or mudrooms, while also providing great organization!

Check out the [corresponding blog post](#) for more details on how to complete the build.

Always practice safety when using power tools and be sure to wear all the proper safety equipment.



Tools, Materials, Cut List

Tools
Milescraft DrawerJig
Table Saw
Miter Saw
Pocket hole system

THE ACCENT PIECE
diy · home · handmade

(tools con't)
Power Drill
Combination Square
Orbital Sander
Face Clamps
Nail Gun

Count	Materials
1	4'x8' Paintable 3/4" plywood
1	1x3, 9ft long boards (I used oak for added stability)
1	2'x4' Paintable 3/4" plywood
	Pocket Hole Screws
	Wood Filler
	Stain
	Paint
	Paint Primer
	Paint Roller
	Paint brush
	Drawer Pulls
	Drawer Slides
	Playing Cards
	Polyurethane Finish
	Wood glue

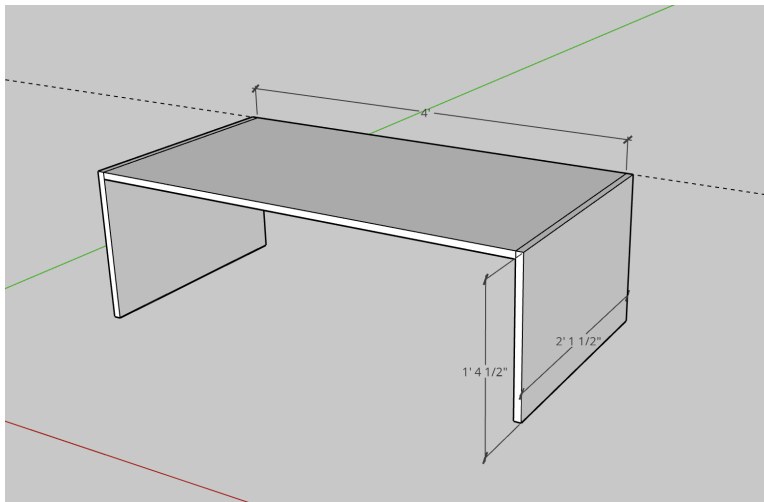
Part	Count	Material	Cut List
A	2	Plywood	25.5" x 16.5"
B	2	Plywood	45" x 25.5"
C	1	Plywood	48" x 16.5"
D	5	Plywood	2" x 25.5"
E	2	Plywood	21.25" x 5.75" ***
F	2	Plywood	44" x 9"
G	1	Plywood	1.5" x 48"
H	1	Plywood	4" x 48"
I	2	Plywood	1.5" x 11"
J	2	Oak	2.5" x 46" ***
K	2	Oak	2.5" x 11" ***
L	2	Plywood	2.5" x 25.5"
M	1	Plywood	49.25" x 2.5"
N	5	Plywood	6" x 49"

***cut to size - trim as you go

For all joints: use pocket holes and wood glue

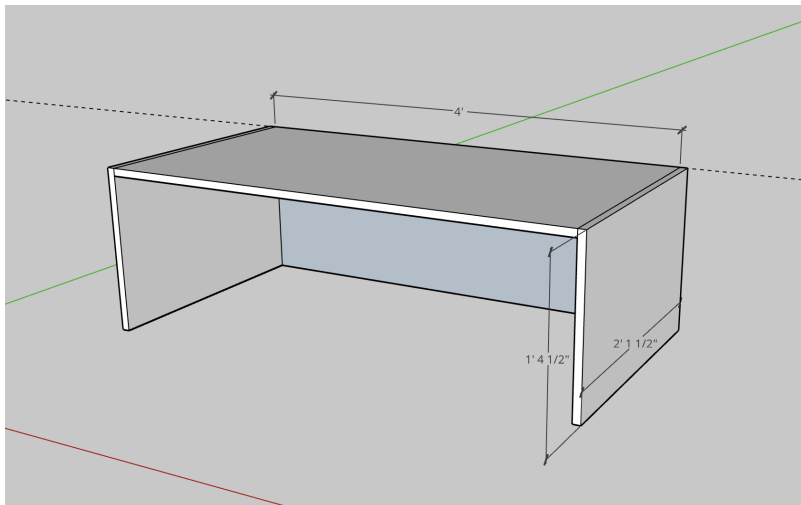
Step 1:

Attach both sides of the cabinet box (parts A) to the top of the cabinet box (part B).



Step 2:

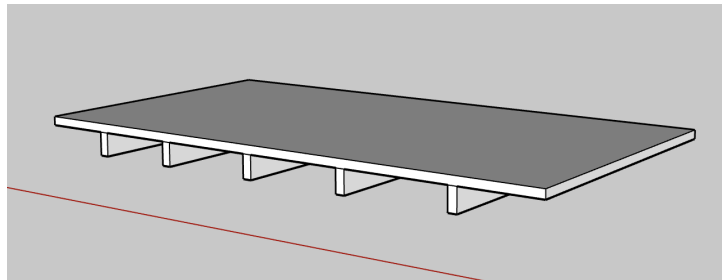
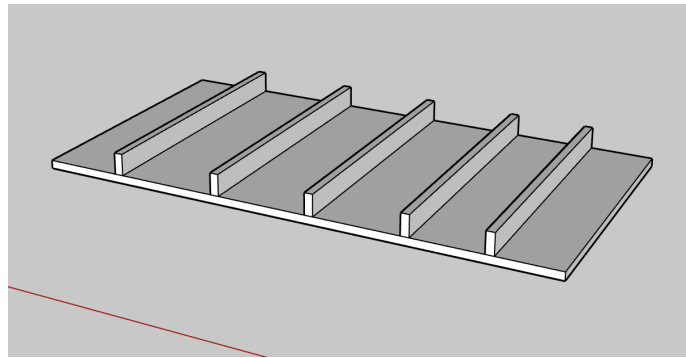
Attach back of the cabinet box (part C) to the top/sides of cabinet box.



THE **ACCENT PIECE**
diy · home · handmade

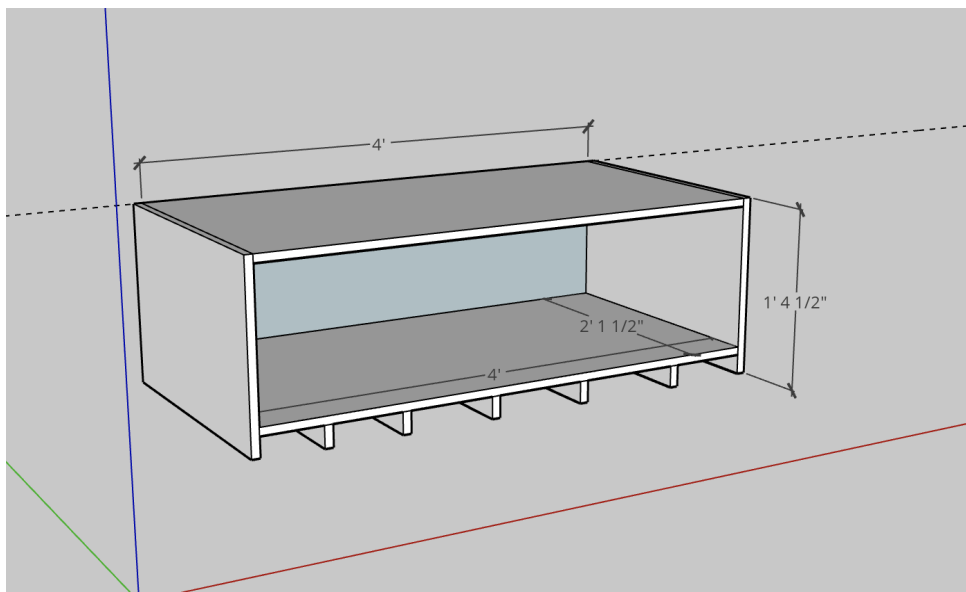
Step 3:

Attach base braces (part D) to the second part B. Flip over.



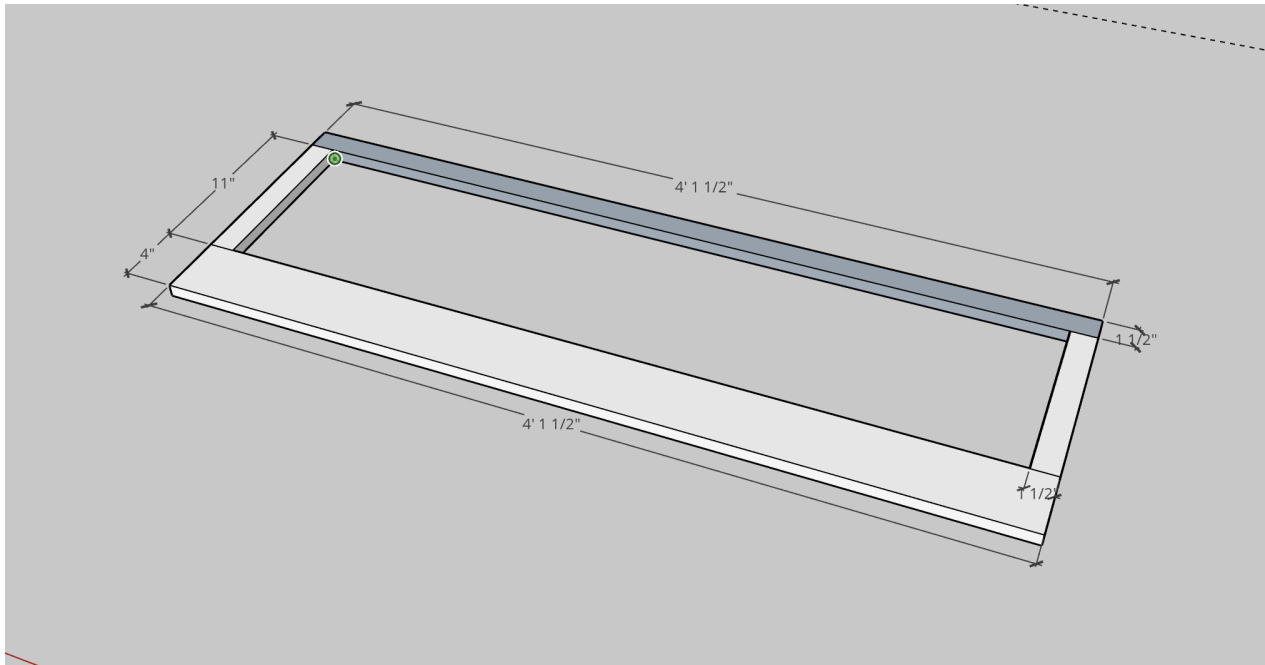
Step 4:

Attach base to the cabinet box.



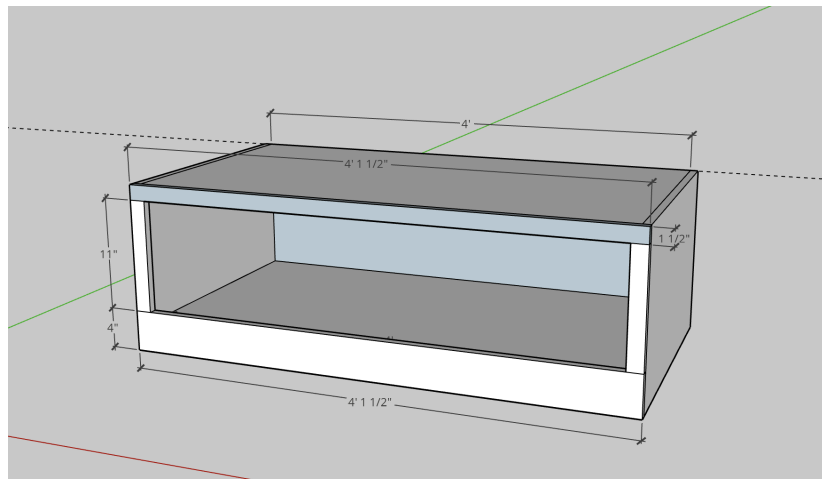
Step 5:

Make face frame for the cabinet box with parts G, H, I:



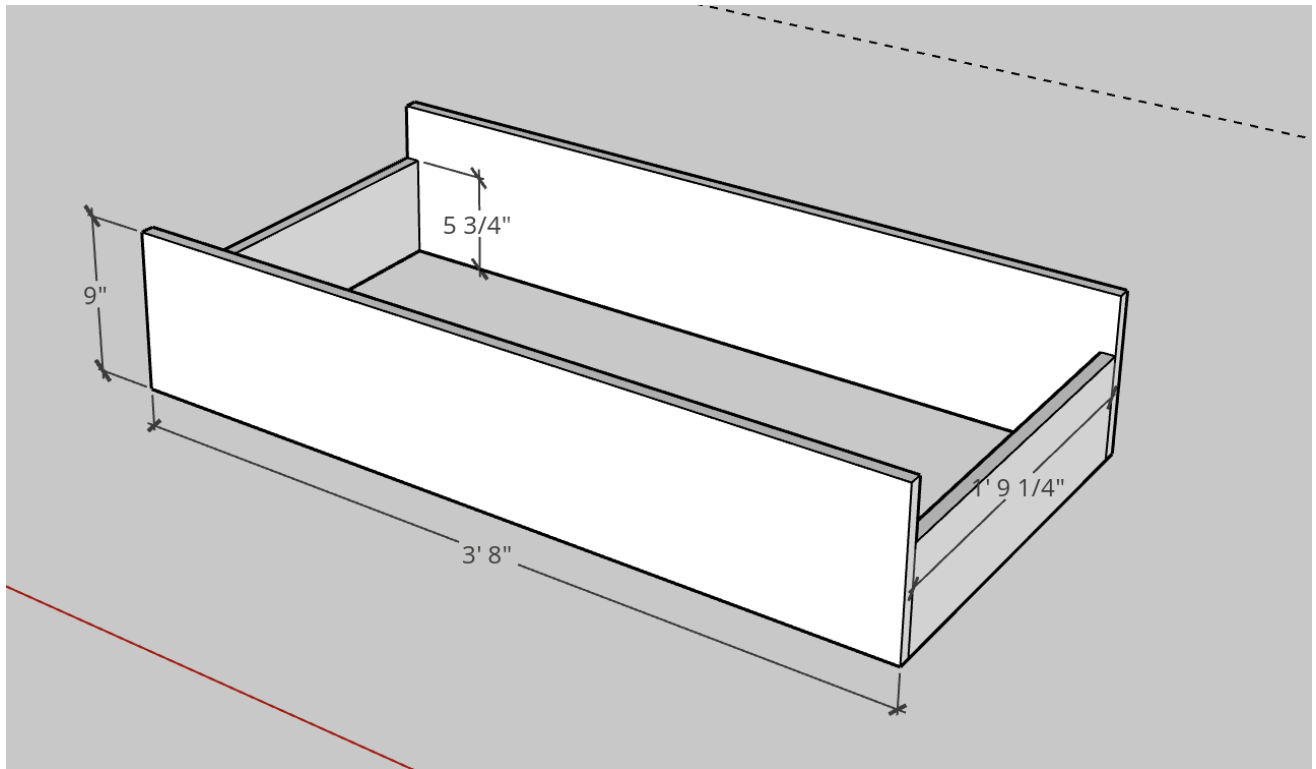
Step 6:

Attach the face frame to the cabinet box. There should be a 3/4" overhang over the cabinet box in order for the drawer to be inset.



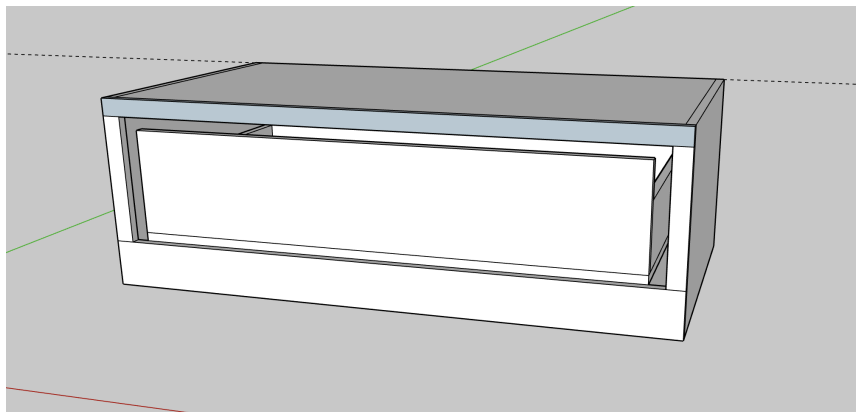
Step 7:

Build the drawer box according to dimensions below. See corresponding blog post for tips on how to build the drawer box.



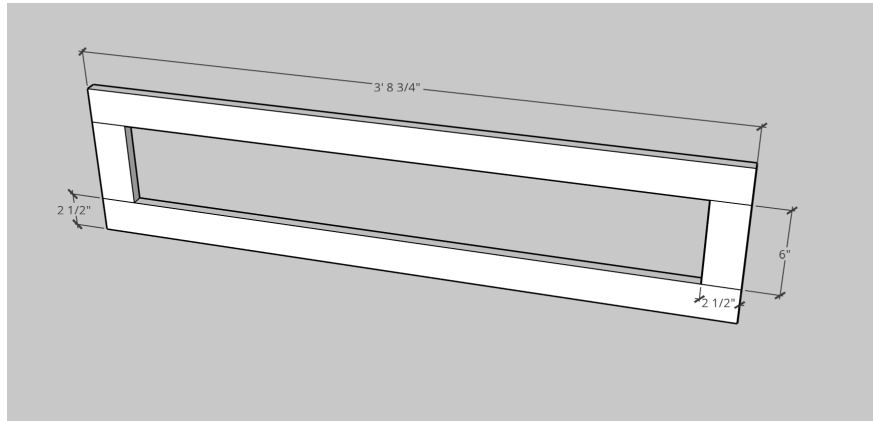
Step 8:

Install the drawer with drawer slides. See corresponding blog post for tips on how to install the drawer slides using the [Milescraft DrawerJig](#).



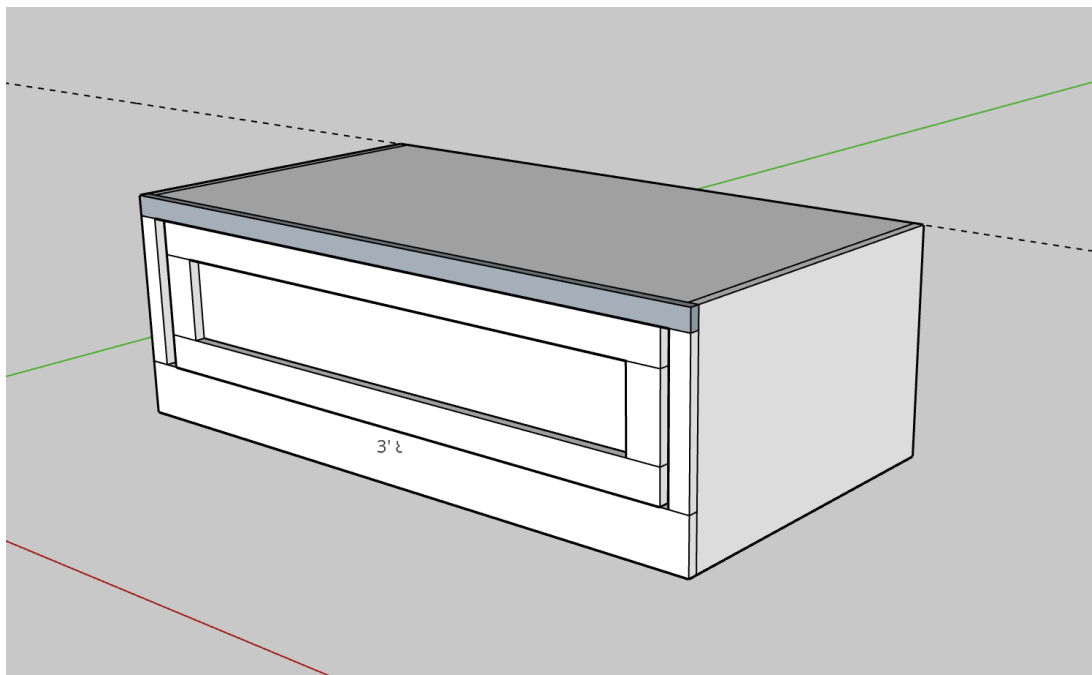
Step 9:

Make the face frame for the drawer front with parts J and K. Allow 1/8" gap all the way around the drawer. See corresponding blog post for tips on how to measure this.



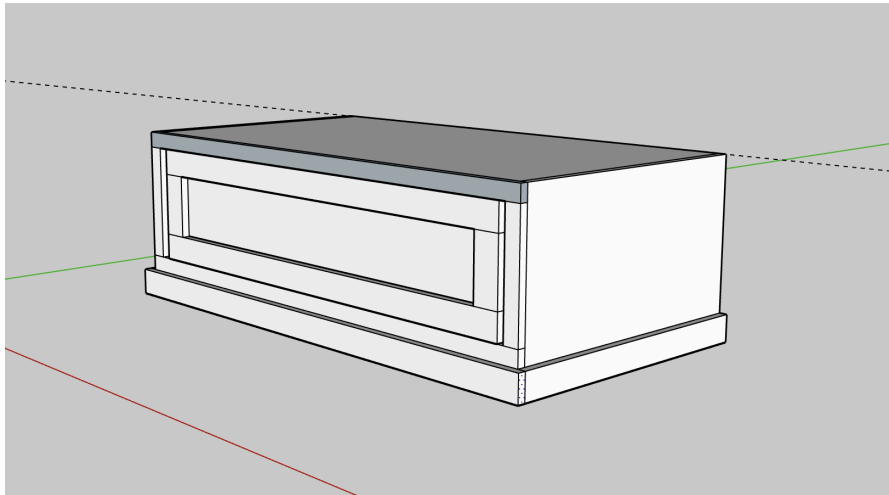
Step 10:

Attach the face frame to the drawer, making sure the 1/8" gap around it is even.



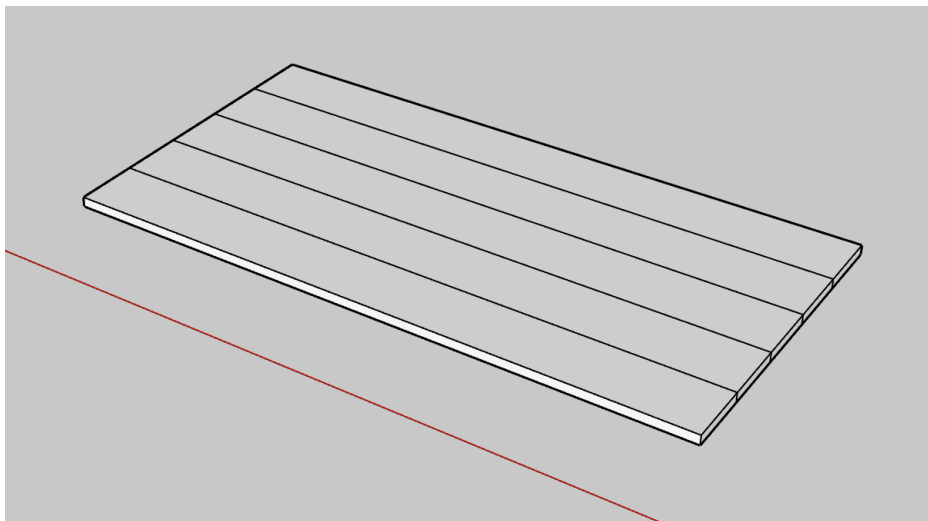
Step 11:

Add decorative trim to the bottom (parts L and M).



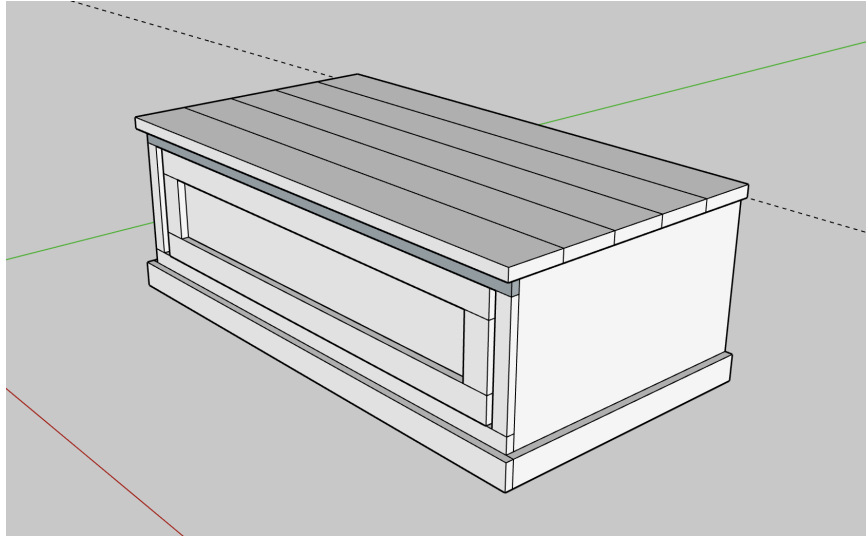
Step 12:

Make the top for the chest of drawers (parts N). [Joint the edges](#) of the boards and attach together with wood glue, pocket screws, and clamps.



Step 13:

Attach the top to the cabinet box from the underside in order to [hide screws](#).



Find me on the socials:

TheAccentPiece.com

Instagram: @TheAccentPiece

facebook.com/TheAccentPiece