

DIY Hall Tree Plans

This hall tree includes a bench seat with a drawer, coat hooks, and upper cabinets for extra storage. It is broken down into two parts: the bench and the upper hooks/cabinet. Check out the [corresponding blog post](#) for more details on how to complete the build.

Always practice safety when using power tools and be sure to wear all the proper safety equipment.





Tools, Materials, Cut List

Tools
Milescraft DrawerJig
Milescraft CabinetMate
Milescraft EuroHinge Jig
Table Saw
Miter Saw
Pocket hole system
Power Drill
Combination Square
Orbital Sander
Face Clamps
Nail Gun

Count	Part	Materials
1	Part 1 (bench)	4'x8' Paintable ¾" plywood
1	Part 1 (bench)	1x3, 9ft long boards (I used oak for added stability)
1	Part 1 (bench)	2'x4' Paintable ¾" plywood
1	Part 2 (Upper Cabinet)	4'x8' Paintable ¾" plywood
1	Part 2 (Upper Cabinet)	1x3, total of 32 feet long
1	Part 2 (Upper Cabinet)	1x6, total of 23 feet long
1	Part 2 (Upper Cabinet)	4'x8' ⅛" backer board
		Pocket Hole Screws
		Wood Filler
		Stain

		Paint
		Paint Primer
		Paint Roller
		Paint brush
		Drawer Pulls and Cabinet Knobs
		European Hinges
		Coat Hooks
		Drawer Slides
		Playing Cards
		Polyurethane Finish
		Wood glue

Cut List for Part 1

Part	Count	Material	Cut List
A	2	Plywood	25.5" x 16.5"
B	2	Plywood	45" x 25.5"
C	1	Plywood	48" x 16.5"
D	5	Plywood	2" x 25.5"
E	2	Plywood	21.25" x 5.75" ***
F	2	Plywood	44" x 9"
G	1	Plywood	1.5" x 48"
H	1	Plywood	4" x 48"
I	2	Plywood	1.5" x 11"
J	2	Oak	2.5" x 46" ***
K	2	Oak	2.5" x 11" ***

THE ACCENT PIECE
diy · home · handmade

L	2	Plywood	2.5" x 25.5"
M	1	Plywood	49.25" x 2.5"
N	5	Plywood	6" x 49"

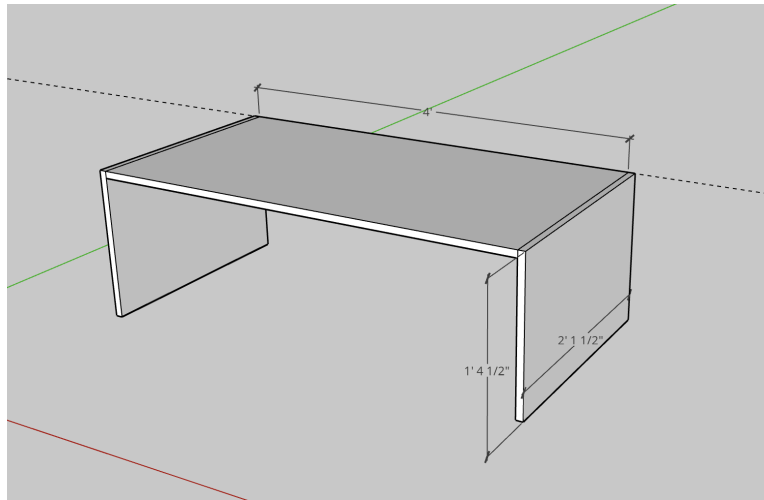
***cut to size - trim as you go

For all joints: use pocket holes and wood glue

PART 1

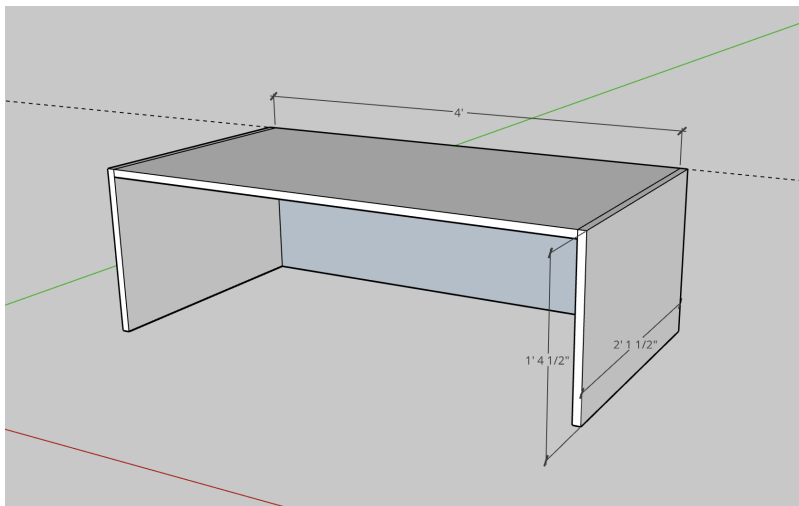
Step 1:

Attach both sides of the cabinet box (parts A) to the top of the cabinet box (part B).



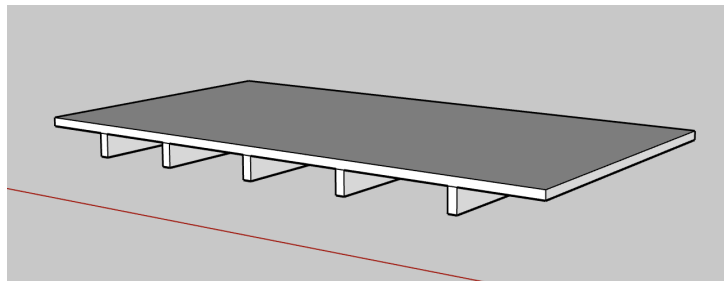
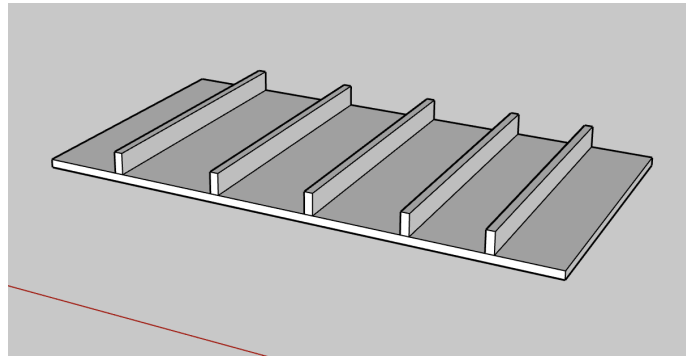
Step 2:

Attach back of the cabinet box (part C) to the top/sides of cabinet box.



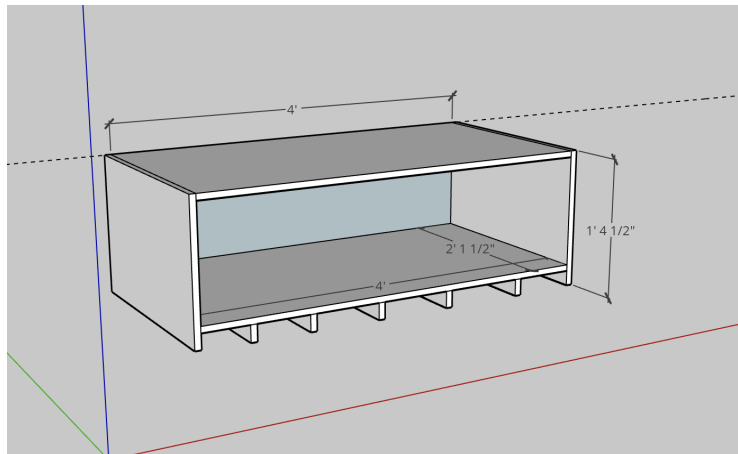
Step 3:

Attach base braces (part D) to the second part B. Flip over.



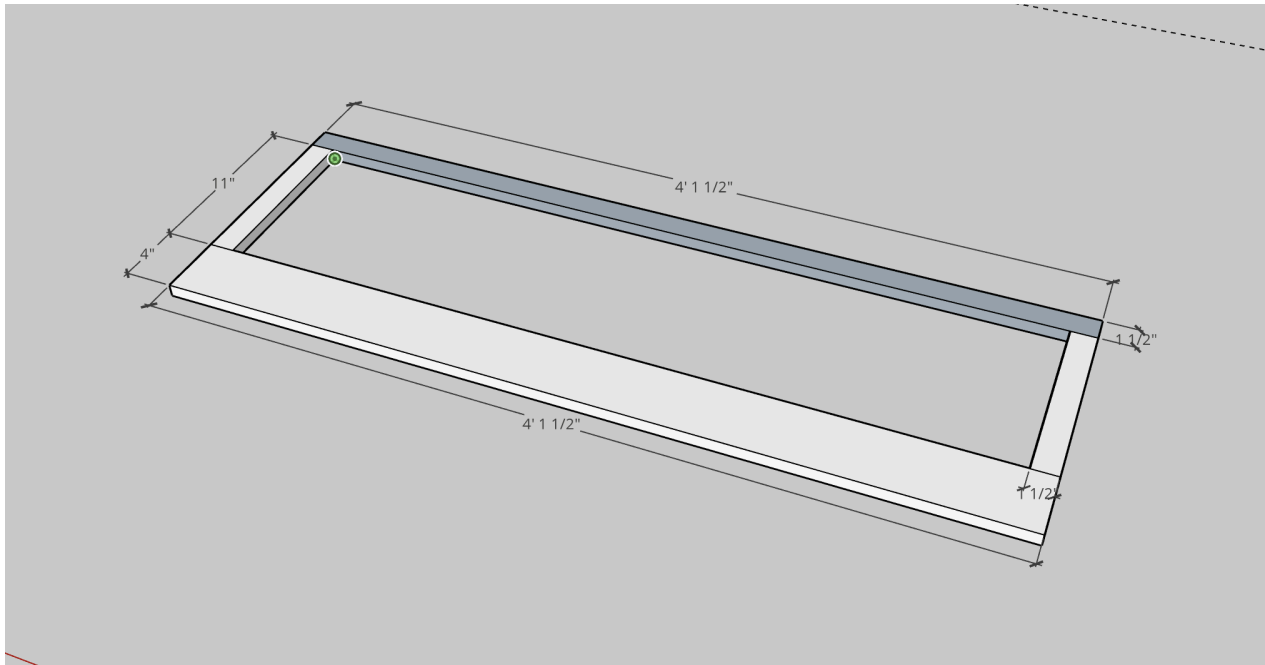
Step 4:

Attach base to the cabinet box.



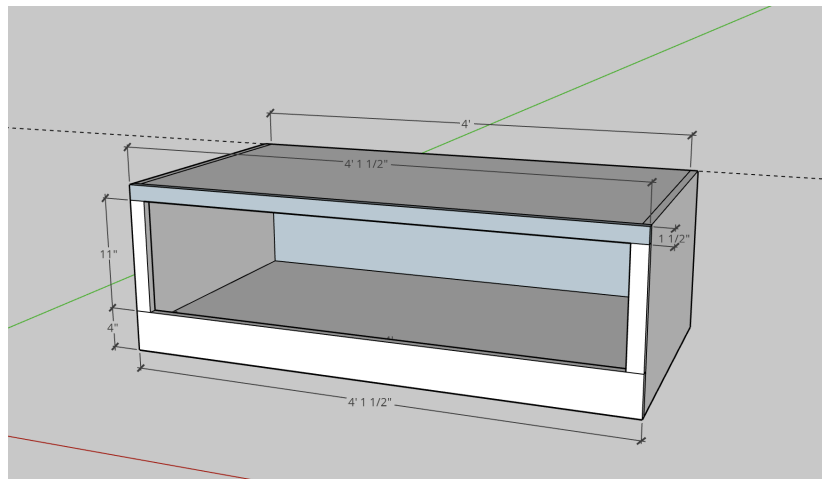
Step 5:

Make face frame for the cabinet box with parts G, H, I:



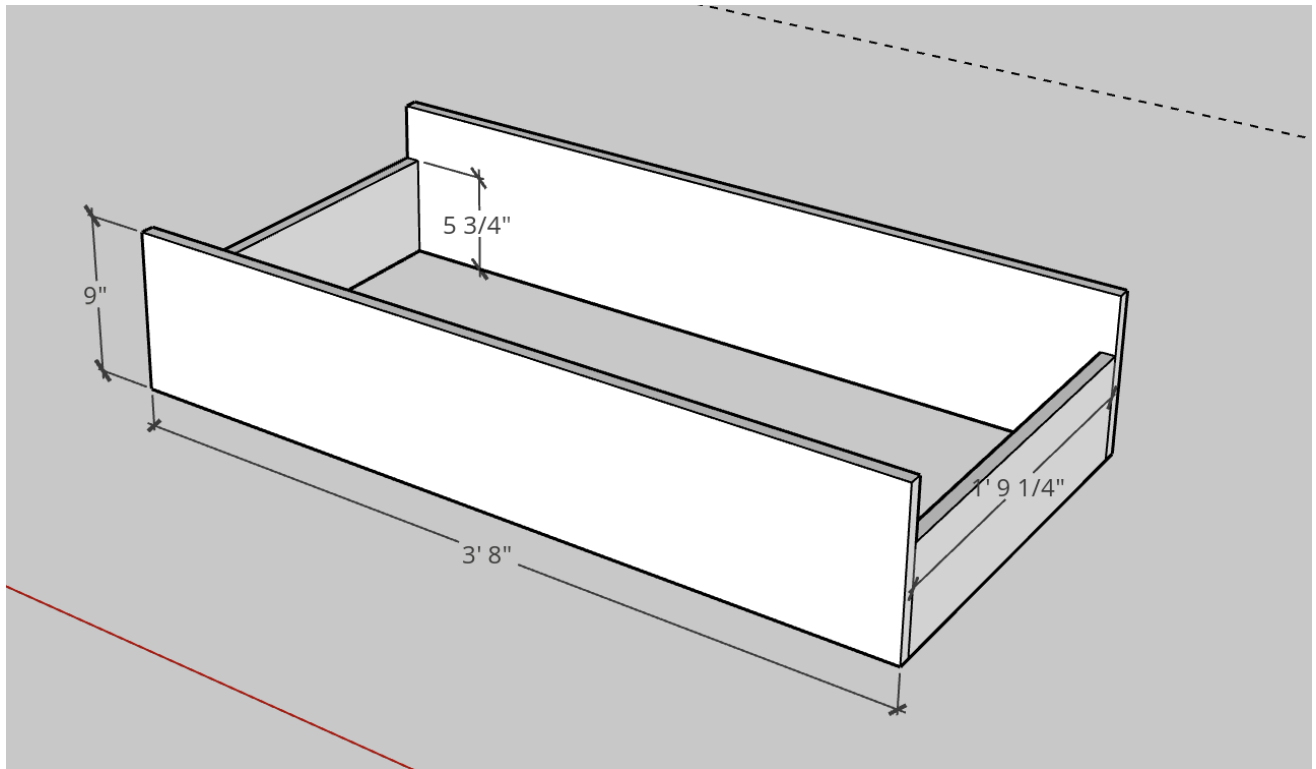
Step 6:

Attach the face frame to the cabinet box. There should be a 3/4" overhang over the cabinet box in order for the drawer to be inset.



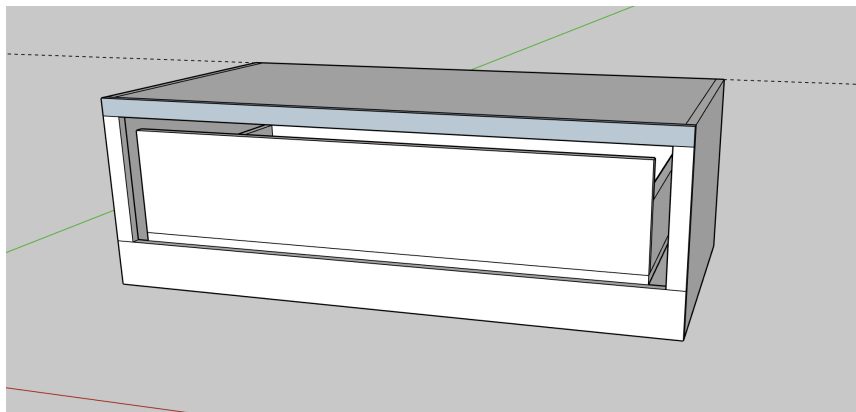
Step 7:

Build the drawer box according to dimensions below. See corresponding blog post for tips on how to build the drawer box.



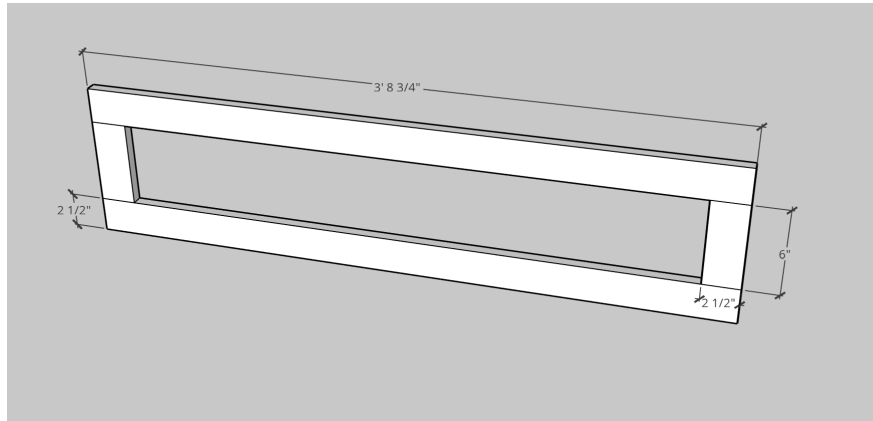
Step 8:

Install the drawer with drawer slides. See corresponding blog post for tips on how to install the drawer slides using the [Milescraft DrawerJig](#).



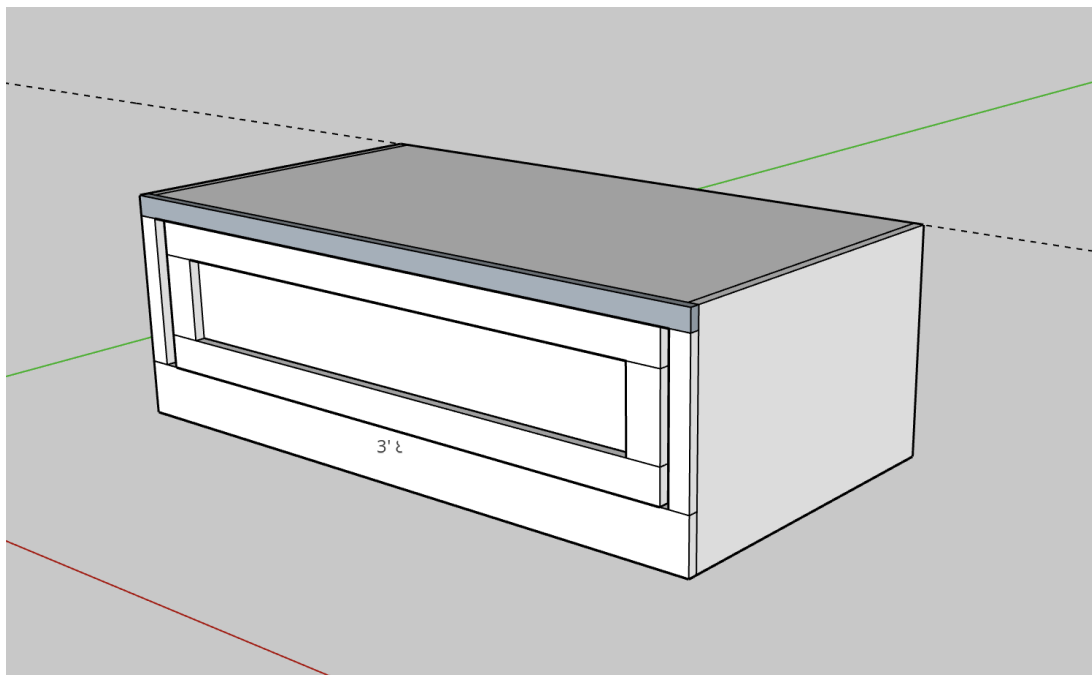
Step 9:

Make the face frame for the drawer front with parts J and K. Allow 1/8" gap all the way around the drawer. See corresponding blog post for tips on how to measure this.



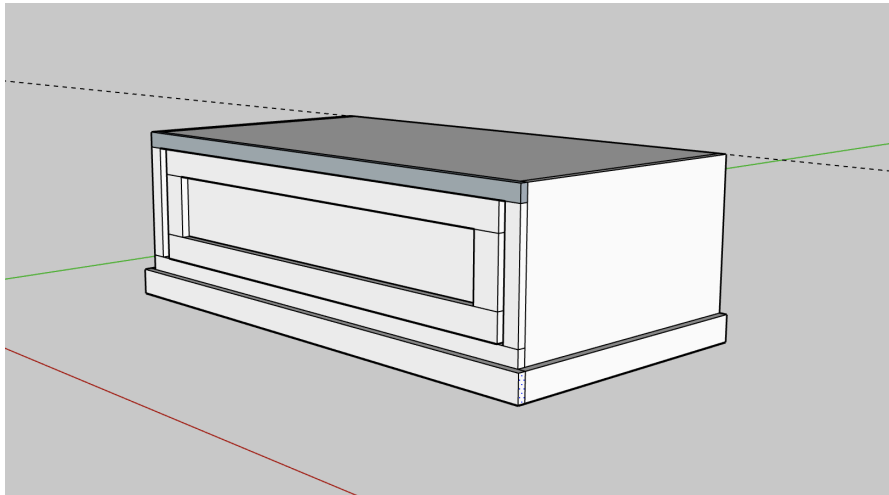
Step 10:

Attach the face frame to the drawer, making sure the 1/8" gap around it is even.



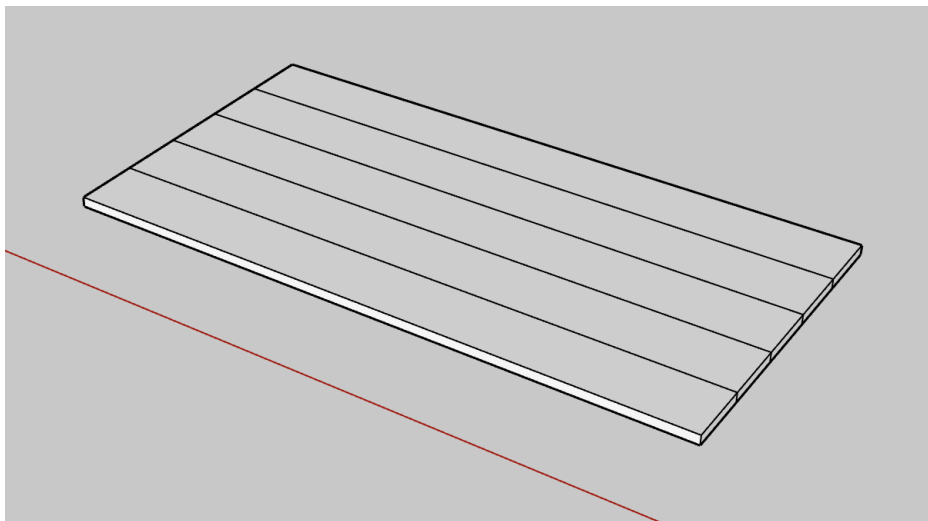
Step 11:

Add decorative trim to the bottom (parts L and M).



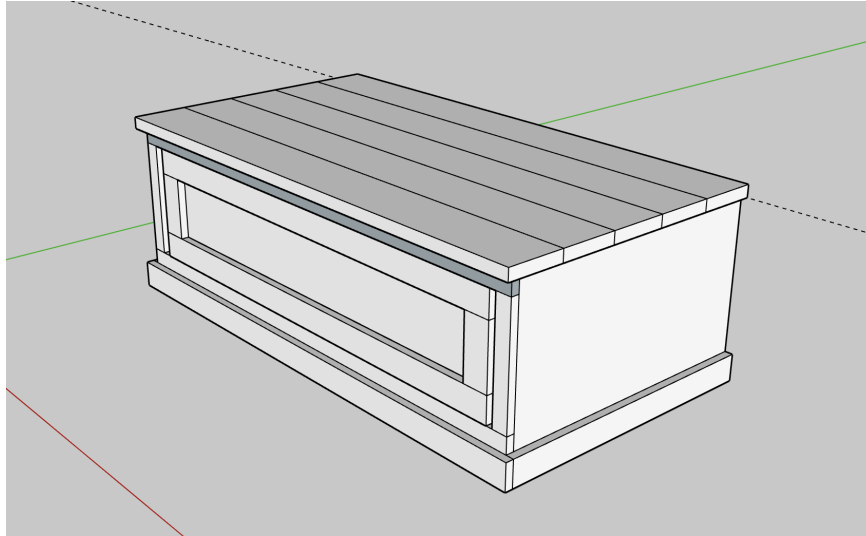
Step 12:

Make the top for the chest of drawers (parts N). [Joint the edges](#) of the boards and attach together with wood glue, pocket screws, and clamps.



Step 13:

Attach the top to the cabinet box from the underside in order to [hide screws](#).



PART 2

Cut List for Part 2

Part	Count	Material	Cut List
A	2	Plywood	56" x 14"
B	2	Plywood	3' 10.5" x 14"
C	1	Plywood	11 1.4" x 14"
D	3	1x6	3' 10.5"
E	3	1x6	7"
F	3	1x6	1' 7 ³ / ₄ " ***
G	2	1x3	1.5" x 4' 7 ¹ / ₄ "
H	1	1x3	1.5" x 3' 9"
I	1	1x3	1.5" x 10.75"
J	1	1x3	3.5" x 4"
K	2	1x3	3.5" x 1' 2.75"
L	4	1x3	2.25" x 1' 10.5"
M	4	1x3	2.25" x 1' 8.5"
N	1	Backer	Cut to size to cover back
O	2	Backer	Cut to size to cover cabinet backs

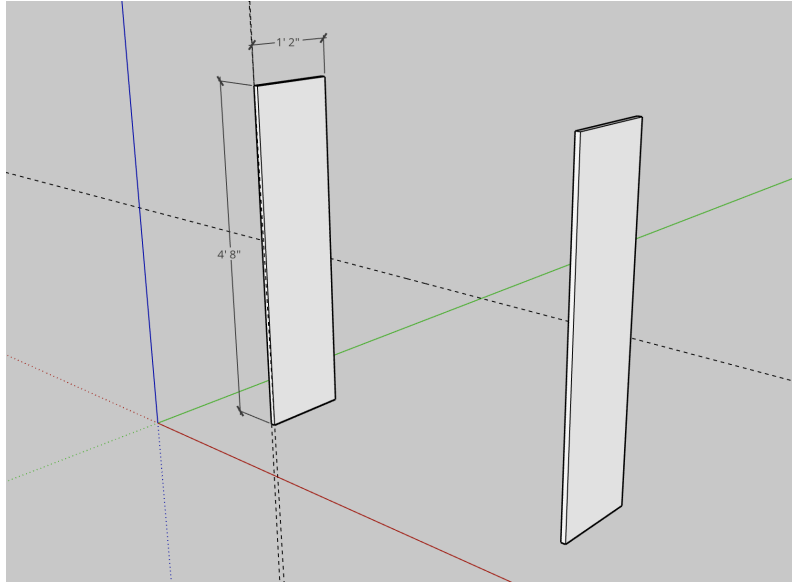
***cut to size - trim as you go

THE ACCENT PIECE

diy · home · handmade

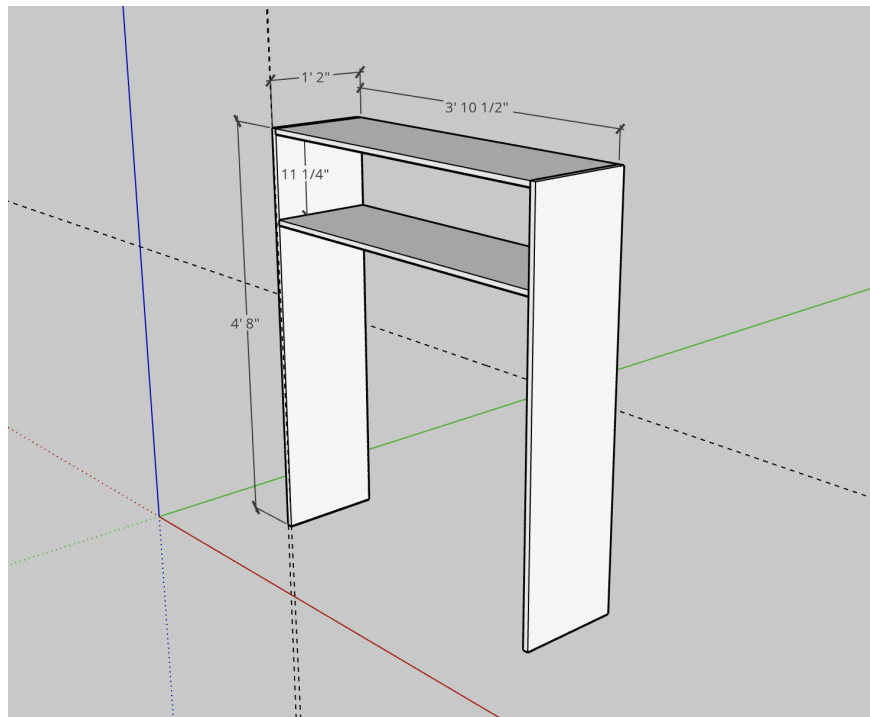
Step 1:

Cut both parts A to size according to plans



Step 2:

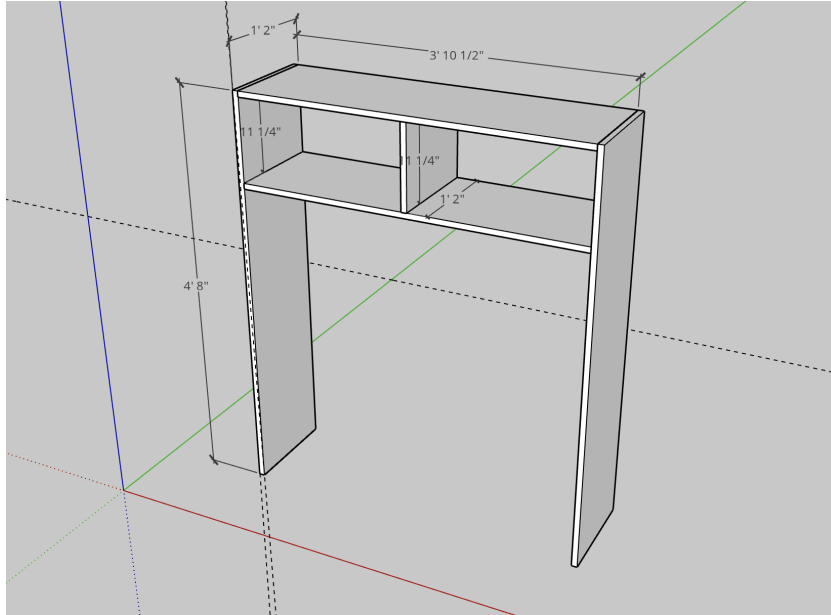
Attach both horizontal pieces (B) to parts (A) with dimensions below.



THE ACCENT PIECE
diy · home · handmade

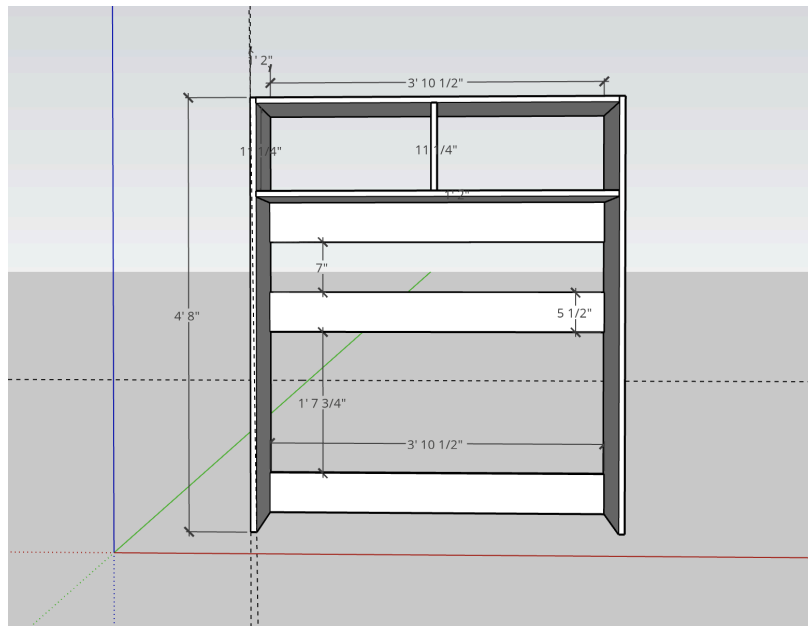
Step 3:

Attach shelf divider (C) to the existing frame



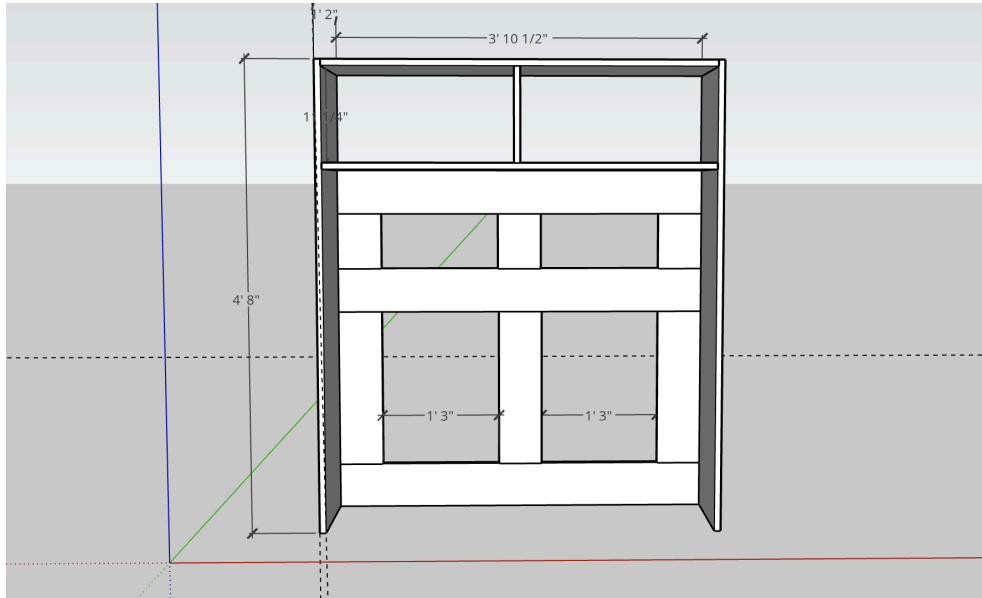
Step 4:

Attach horizontal braces (D) to the existing frame



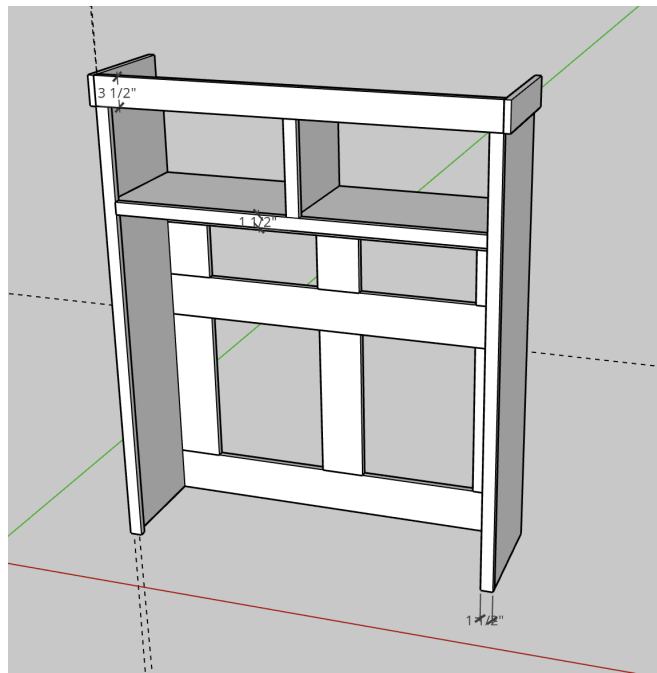
Step 5:

Attach vertical braces (E) to the existing frame



Step 6:

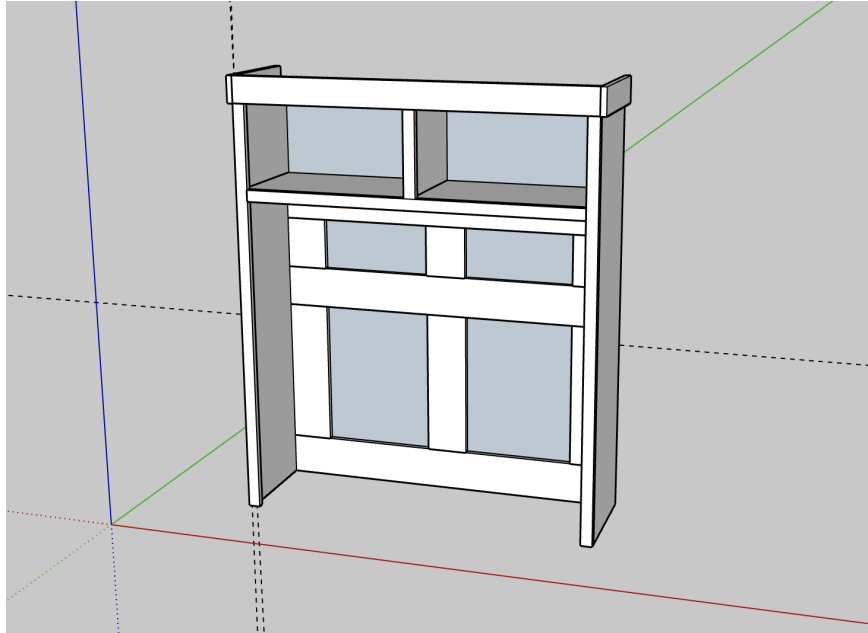
Attach face frame pieces (parts G through K)



THE ACCENT PIECE
diy · home · handmade

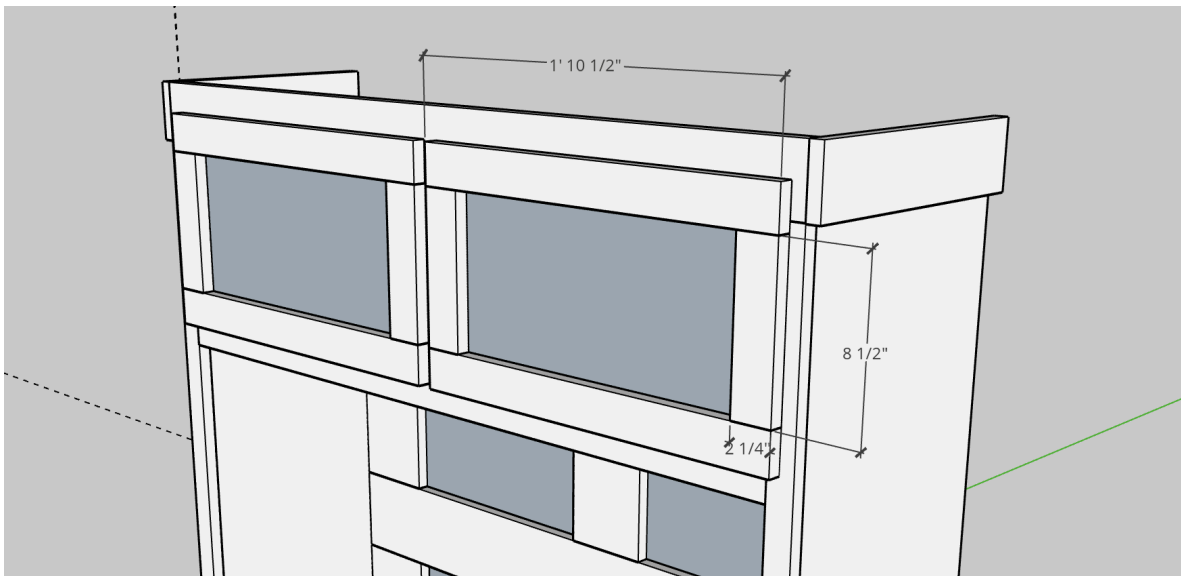
Step 7:

Attach the backer to the back of the piece (cut to size). (Part N)



Step 8:

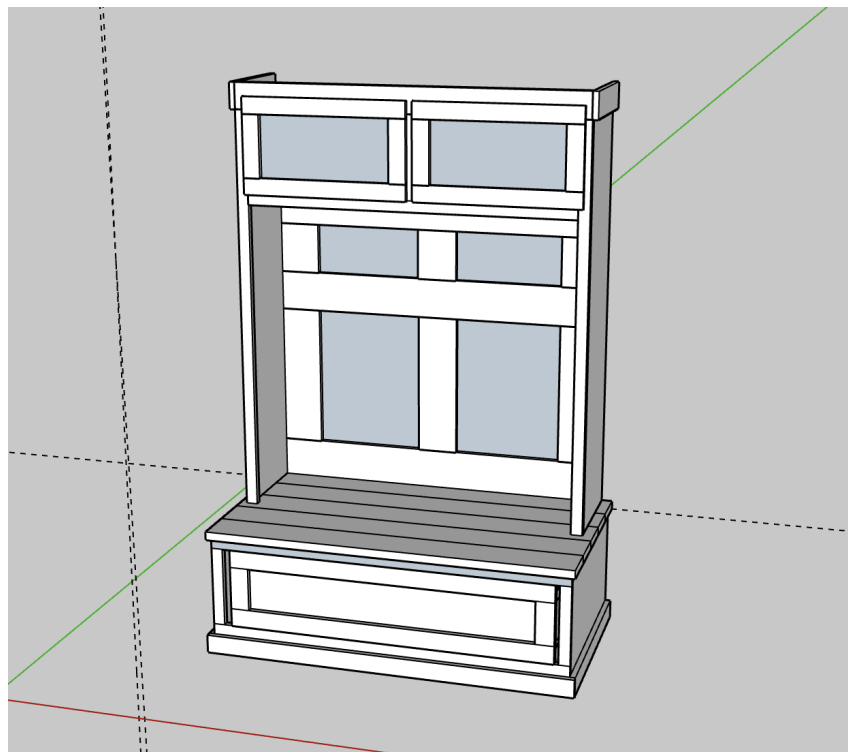
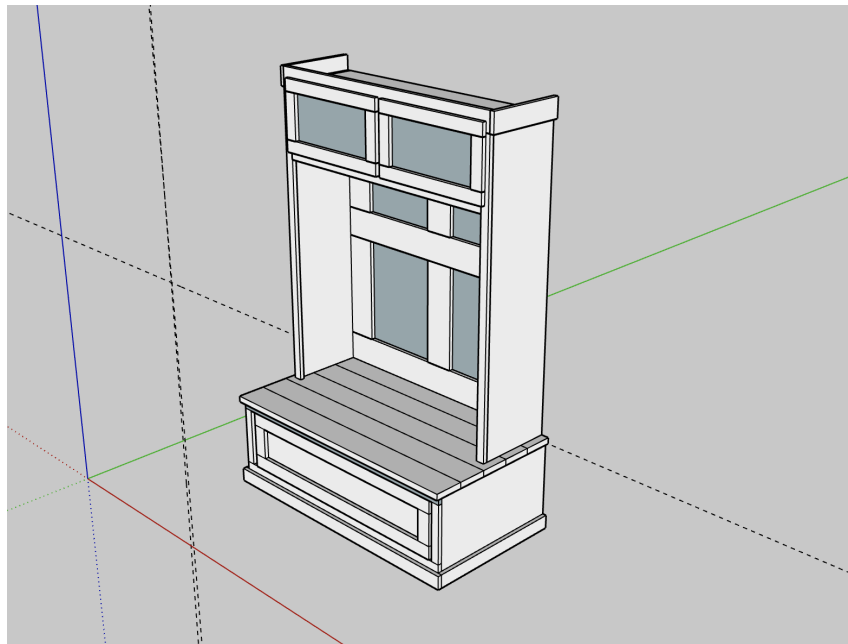
Build the cabinet doors according to size. Attach backer board to the back of the cabinet doors. (part O)



THE **ACCENT PIECE**
diy · home · handmade

Step 9:

Install the top piece on the bottom piece. Attach with metal rods along the back to make sure it doesn't tip forward.





Find me on the socials:

TheAccentPiece.com

Instagram: @TheAccentPiece

facebook.com/TheAccentPiece